

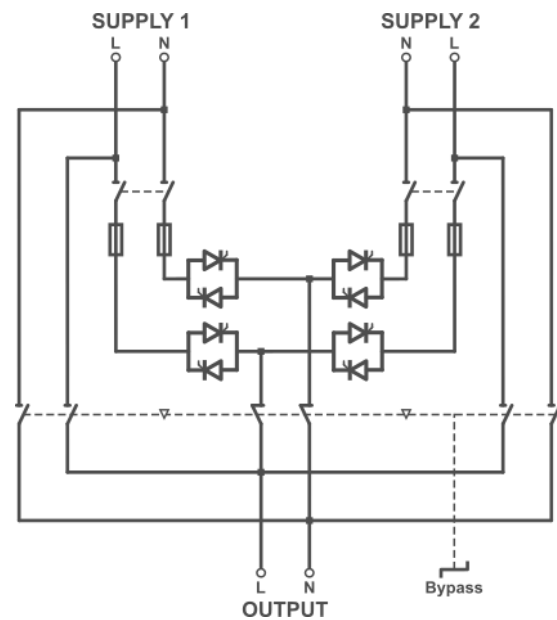
# iSURFACE F1

**STATIC  
POWER**  
SMART | SOLID | SAFE



Superior in performance and ruggedness, the iSURFACE F1 is designed for tough environments where power availability is essential.

iSURFACE F1 avoids critical equipment power supply disruptions by transparently changing to a secondary source in case of failure of the preferred..



## Features

- IP54 - 55°C ambient
- 1-phase, 2-pole, Up to 32A
- Built-in transient voltage protection
- UPS Eco-Mode compatible
- RCD site compatibility
- Safe asynchronous source transfers
- Very high MTBF (>800,000 hours)
- Back feed protection contactors
- Manual and automatic transfers selection
- Maintenance Bypass pad-lockable
- Preferred source selection
- Visual and sound alarms
- Bi-colour LED mimic and load indicator
- Voltage free general alarm contact
- Australian designed & manufactured



# iSURFACE F1

<i>Current rating</i>	Up to 32A
<i>Voltage rating</i>	115V or 230V, ±10%
<i>Type</i>	1-Phase/2-Pole
<i>Frequency</i>	50Hz and 60Hz, ±10% - Auto detection
<i>Transfer type</i>	Break-Before-Make zero current transfer by Thyristors / SCR
<i>Synchronous break time</i>	Synchronous break time up to ¼ cycle
<i>MTBF</i>	>800,000 hours
<i>Maintenance bypass</i>	3 Positions 63A rated CAM Switch- Lockable
<i>Isolation</i>	Extension with inputs and output breakers
<i>Display</i>	Bi-colour LED mimic decal with load indication
<i>Interface</i>	Preferred supply selection, Source transfer selection and Alarm cancel button
<i>Contact</i>	One voltage free general alarm indicator, Form A or Form B - SPST
<i>Ethernet</i>	LAN/TCP, Modbus & SNMP
<i>Input options</i>	8mm bolted terminals connections for up to 70mm <sup>2</sup>
<i>Output options</i>	8mm bolted terminals connections for up to 70mm <sup>2</sup>
<i>Dimensions &amp; Weight</i>	W400 x D190 x H400mm – 12kg
<i>Temperature</i>	0 – 55°C
<i>IP rating</i>	IP54
<i>Detection</i>	Digital: <1ms
<i>Asynchronous break time</i>	Vt proportional up to 12ms, 0° to 180°
<i>Loading</i>	0.5A - 100% @55°C ambient
<i>Device ratings</i>	150A <sub>RMS</sub> , 1400V, 2kA for 1 cycle
<i>Overload @55°C ambient</i>	200% for 30s 300% for 1s
<i>Fault current setting</i>	300% peak with load fault transfer inhibit
<i>Safe install environment</i>	20kA, 100A internally fused
<i>Protection</i>	100A fuses - BS88/FE100
<i>Power factor</i>	No practical limit
<i>Max THDV</i>	10% - Max allowable source voltage distortion
<i>Crest factor</i>	3 : 1
<i>dV/dt max</i>	800V/µs
<i>Cooling</i>	Passive
<i>Humidity @40°C ambient</i>	5 – 95% non-condensing

Specifications are subject to change without notice