

iSURFACE P

**STATIC
POWER**
SMART | SOLID | SAFE



Static Power's panel mount iSTS are dedicated to applications requiring a high level of reliability. iSTS P is designed to be integrated in 3rd party switchboard or enclosure and is adaptable to all specific requirements. Contact us for more information on iSTS P.

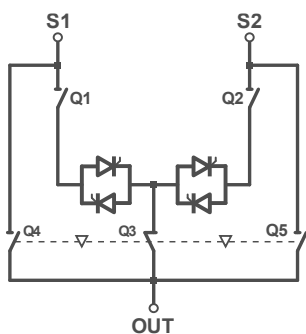
Key features:

- True solid state, Break-Before-Make transfer
- Transfer time: <1ms to ¼ cycle
- Single or Multi-feeds
- Adaptable dimensions
- Adaptable Inputs/output connexions
- w/o protections or Customer's preferred
- Automation

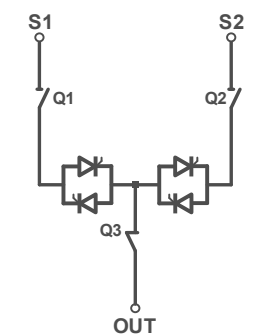


Breakers & Maintenance Bypass:

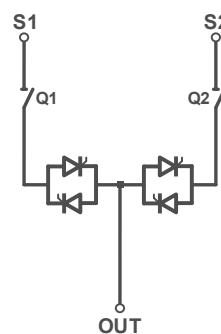
iSTS P can be provided with out without Breakers and/or Maintenance Bypass



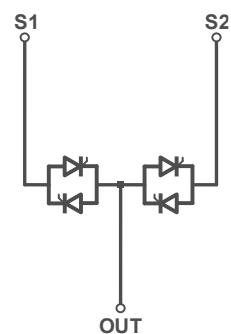
Breakers and Bypass 2 Ways



Inputs & Output Breakers



Inputs Breakers Only



iSTS Alone



Current rating	63A	250A	630A	1600A
Voltage rating	All region-specific voltages selectable $\pm 10\%$			
Frequency	50Hz and 60Hz, $\pm 10\%$ - Auto detection			
Type	1-Phase/2-Pole or 3-Phase/3 or 4-Pole			
Protection	Fuseless, by circuit breakers			
Loading	0 - 100% @ 45°C ambient			
Device ratings (1 cycle)	700 _{ARMS} @10kA	1300A _{RMS} @20kA	1750A _{RMS} @28kA	2650A _{RMS} @34kA
Overload @40°C ambient	125% for 10min 150% for 30s 500A for 1s 2kA for 0.1s	125% for 10min 150% for 30s 1kA for 1s 7.2kA for 0.1s	125% for 10min 150% for 30s 3.5kA for 1s 10kA for 0.1s	125% for 10min 150% for 30s 5kA for 1s 12.5kA for 0.1s
Fault current setting	>350% peak with load fault transfer inhibit			
Safe install environment <i>*Higher Fault Current available</i>	10kA for 1 cycle*	20kA for 1 cycle*	28kA for 1 cycle*	35kA for 1 cycle*
Power factor	No practical limit			
Max THDV	10% - Max allowable source voltage distortion			
Crest factor	3.5 : 1			
dV/dt max	800V/ μ s			
MTBF	800,000h			
Maintenance bypass	Integrated in Panel or without			Without or External to Panel
Maintenance Bypass Type	5 Mechanically interlocked circuit breakers			
Source and Output Isolation	Integrated in Panel or without		Without or External to Panel	
Connexions	Terminals M8 Up to 95mm ²		Copper bars Up to 2 x 120mm ²	Copper bars Up to 2 x 300mm ²
Cable Entry - Exit	Top or bottom			
Transfer type	Break-Before-Make zero current transfer by Thyristors / SCR			
Synchronous break time	Typically less than 1ms - Synchronous break time up to ¼ cycle			
Detection	Digital: <1ms			
Asynchronous break time	Settable 0ms, 10ms, 50ms or Vt proportional, 0° to 180°			
Display	Bi-colour LED mimic decal with graphic backlit LCD display and information interface			Colour 7" display and information interface
Controls	Preferred supply selection, Source transfer selection and Alarm cancel button			
Contact	2 Self wetting transfer control inputs and 5 Voltage free change-over status indicators, Form C			
Ethernet	HTTP, SNMP, MODBUS TCP, Email & NTP			
Dimensions H x W x D in mm	1Ph: H800 x W580 x D250 3Ph: H1000 x W580 x D250	H1200 x W715 x D250	H1600 x W760 x D300	H1720 x W760 x D300
Weight	1Ph: 60kg - 3Ph: 75kg	1Ph: 70kg - 3Ph: 100kg	1Ph: 80kg - 3Ph: 115kg	1Ph: 200kg - 3Ph: 245kg
Temperature	0 – 45°C			
IP Rating	IP00			
Cooling	Redundant fans			
Humidity @40°C ambient	5 – 95% non-condensing			

Specifications are subject to change without notice